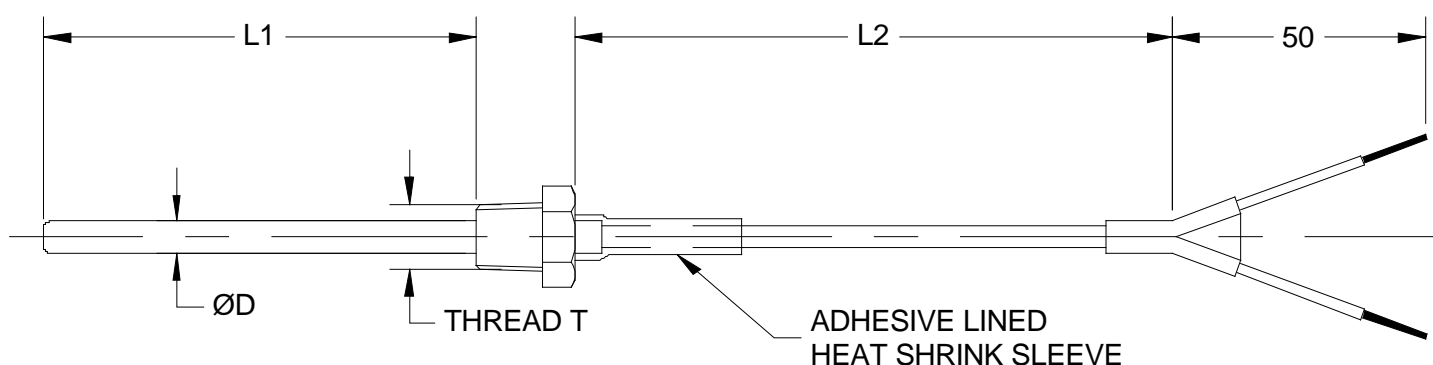


## PPL2-P Resistance Thermometer with Process Thread & Lead

Our PPL2 sensor is designed for a wide range of general purpose industrial applications that require a flying lead sensor. The addition of a fixed process connection removes the need for a separate compression making installation much quicker. Our flexibility allows us to manufacture a sensor to your requirements including high accuracy sensors and simplex or duplex sensing elements. Full details of the lead types and accessories are available in the appropriate data sheet. UKAS or traceable calibration is available upon request.



Specifications	
Sensor Type	Platinum Resistance Thermometer—Pt100 or Pt1000
Operating Range	Limited to range of lead as standard— see below— can be extended at additional cost
Sheath Material	316 stainless steel
Tolerance Band	Class B, Class A, 1/3 DIN, 1/5 DIN or 1/10 DIN
Wiring System	2, 3 or 4 wire, Simplex or Duplex
Lead Types	A—PVC/PVC Screened (-10 to +105°C) B—Silicone Rubber Unscreened (-60 to +180°C) C—PTFE/PTFE Screened (-75 to +250°C) D—Glass Fibre Stainless Steel Overbraid (0 to 350°C) Other cables available upon request).

Full details of all our products can be seen on our web-site:

[www.processparameters.co.uk](http://www.processparameters.co.uk)

## PPL2-P Resistance Thermometer with Process Thread & Lead

PPL2-P    -    -    -    -    -    -    -    -    -    XXX

Sensor Type	
Pt100	A
Pt1000	B

Number of wires	
2 wire	2
3 wire	3
4 wire	4

No. of detectors	
Simplex	S
Duplex	D

Tolerance	
Class A	A
Class B	B
1/3 DIN	C
1/5 DIN*	D
1/10 DIN*	E

\* Not available for Pt1000

Sheath Dia - ØD	
3.0mm*	30
1/8"	32
4.0mm	40
4.5mm	45
3/16"	48
5.0mm	50
6.0mm	60
6.4mm	64
8.0mm	80
10.0mm	100
12.0mm	120
15.0mm	150

\*Not available with Duplex detector

Specials Code	
Refer to Sales	

Lead Length L2 (mm)	
Enter length	

Lead Type	
PVC	A
Silicone	B
PTFE	C
GF + SSOB	D

Thread Size T	
1/4"BSP	A
1/2"BSP	B
3/4"BSP	C
1"BSP	D
1/4"BSPT	E
1/2"BSPT	F
3/4"BSPT	G
1"BSPT	H
1/2"NPT	I
3/4"NPT	J

Sheath Length L1 (mm)	
Enter length in mm #	

NOTE: Some sheath diameter / lead type combinations require a pot seal. Some option combinations not possible  
# In instances where you are ordering a sensor with a pocket, enter "TSP" here and we will calculate the correct length for you.

This data sheet gives details of the most popular options available for this type of sensor but is not intended to give an exhaustive list of possibilities. If you have a special requirement, please contact our sales office for assistance.