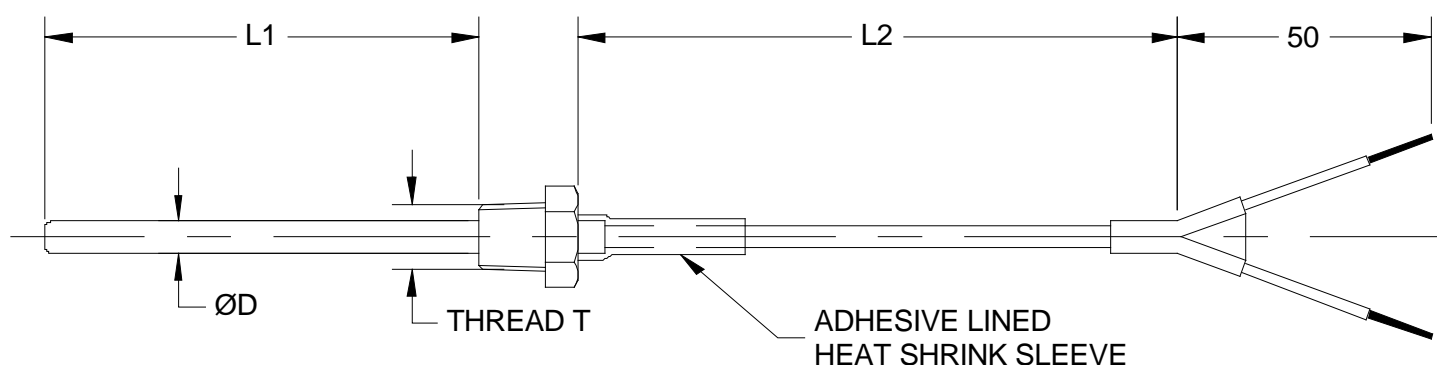


PPL2-T Thermocouple with Process Thread & Lead

Our PPL2 sensor is designed for a wide range of general purpose industrial applications that require a flying lead sensor. The addition of a fixed process connection removes the need for a separate compression making installation much quicker. Our flexibility allows us to manufacture a sensor to your requirements including all common thermocouple types and simplex or duplex sensing elements. Full details of the lead types and accessories are available in the appropriate data sheet. UKAS or traceable calibration is available upon request.

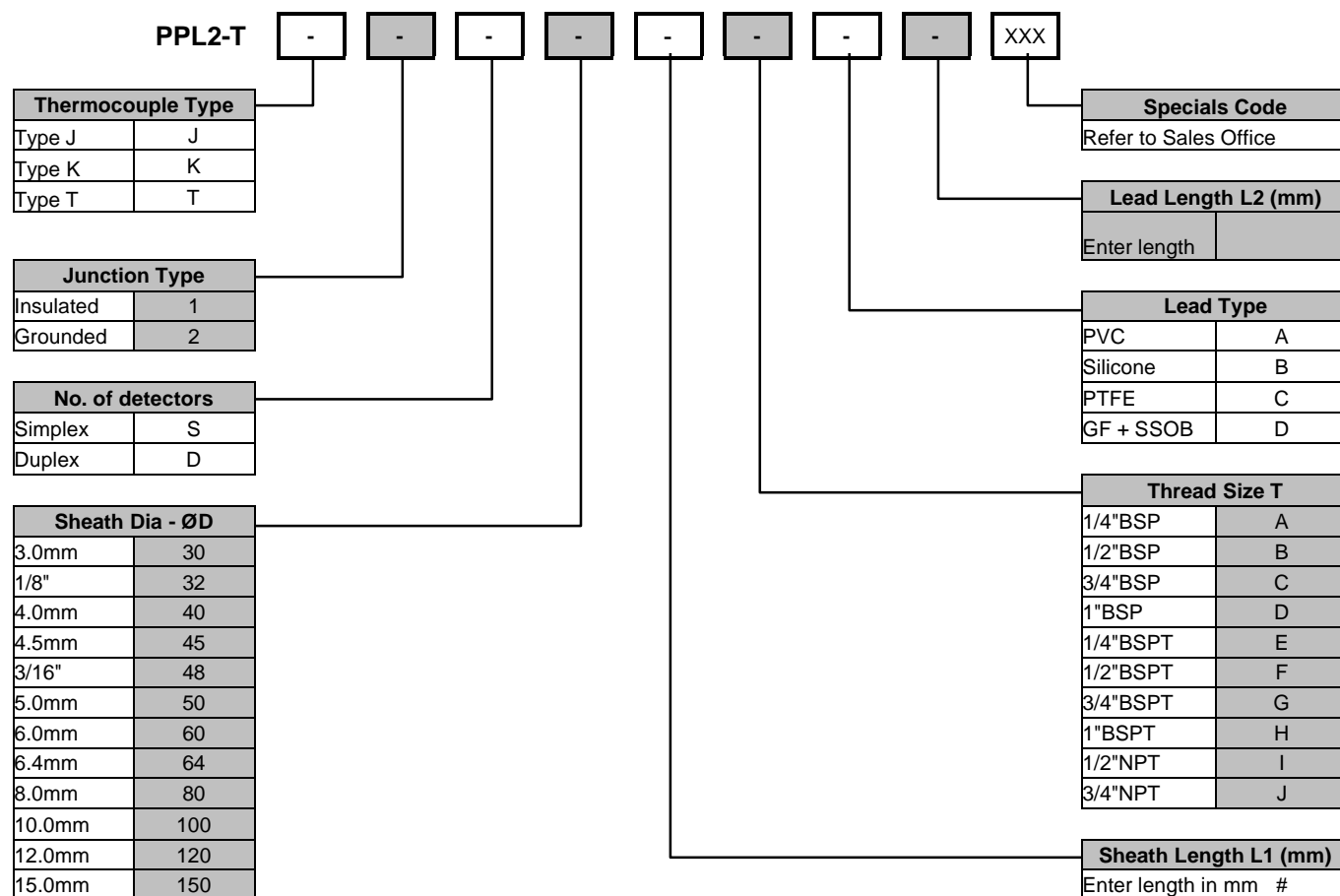


Specifications	
Sensor Type	Type J, K or T thermocouple. Insulated or Grounded hot junction.
Operating Range	Limited to range of lead as standard— see below— can be extended at additional cost
Sheath Material	316 stainless steel
Tolerance Band	BS EN 60584-2:1993 Class 1 or Class 2 (Determined by material availability)
Wiring System	Simplex or Duplex
Lead Types	A—PVC/PVC Screened (-10 to +105°C) B—PTFE/PTFE Screened (-75 to +250°C) C—Glass Fibre Stainless Steel Overbraid (0 to 350°C) Other cables available upon request).

Full details of all our products can be seen on our web-site:

www.processparameters.co.uk

PPL2-T Thermocouple with Process Thread & Lead



NOTE: Some sheath diameter / lead type combinations require a pot seal. Some option combinations not possible
 # In instances where you are ordering a sensor with a pocket, enter "TSP" here and we will calculate the correct length for you.

This data sheet gives details of the most popular options available for this type of sensor but is not intended to give an exhaustive list of possibilities. If you have a special requirement, please contact our sales office for assistance.