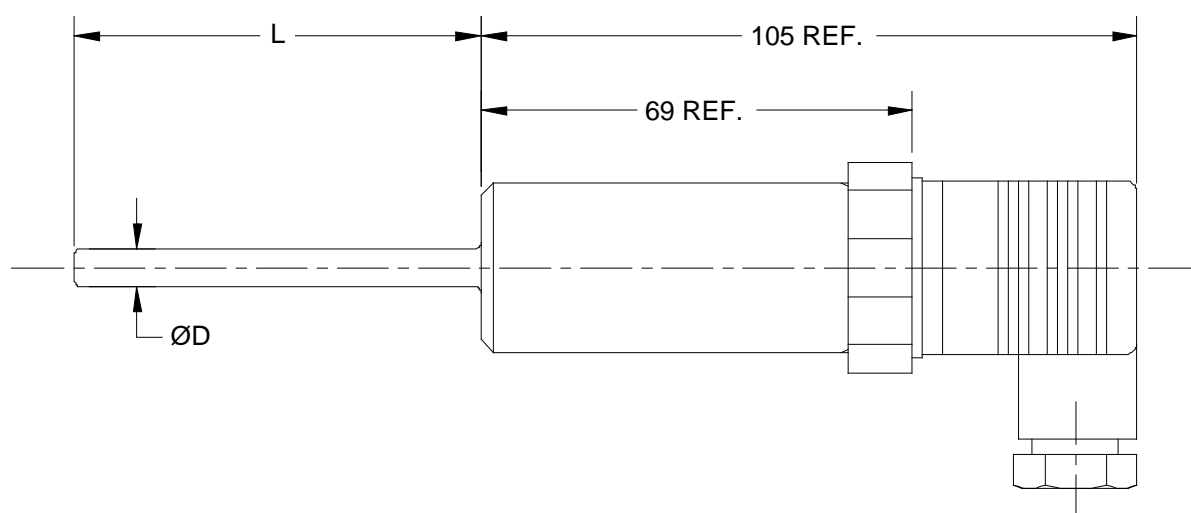


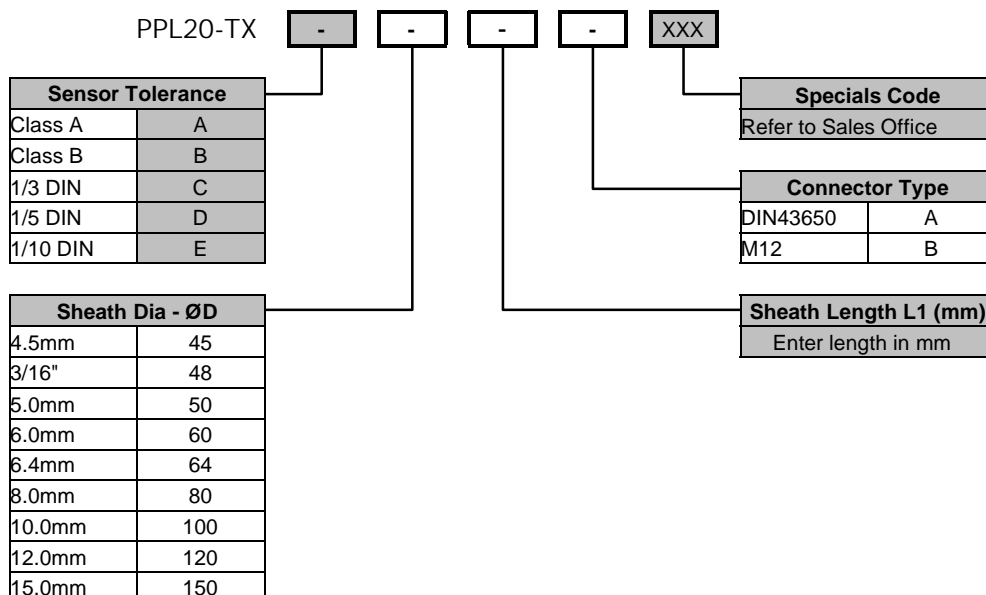
PPL20-TX Compact Temperature Transmitter with Plain Stem

Our PPL20 temperature transmitter is a compact product with a clean simple design which makes it ideal for use in many applications within the food, beverage and dairy industries. It has a 316 stainless steel sheath and body and our flexibility allows us to fit probe stems of various diameters and lengths. Two connector options are available offering either IP65 or IP67 environmental protection. Various common options are shown on this data sheet but this is not an exhaustive list, please contact us with your requirements. UKAS or traceable calibration is also available.



Specifications	
Sensor Type	Platinum Resistance Thermometer—Pt100, 3 wire
Output	4-20mA, 2 wire
Power Supply	10-30V d.c. Loop Powered
Sensor Tolerance Band	Class B, Class A, 1/3 DIN, 1/5 DIN or 1/10 DIN
Operating Range of Sensor	-50 to +250°C
Ambient Temperature	0 to +70°C
Accuracy	±0.25%
Sheath Material	316 stainless steel
Connector	A—DIN43650 IP65 (as shown in photo) B—M12 IP67

PPL20-TX Compact Temperature Transmitter with Plain Stem



Options and Accessories



PPL1000 Plug In Display

Our PPL1000 display fits in between the transmitter and the plug and provides the user with a clear LED local display without affecting the 4-20mA output and it also maintains the IP65 rating for the connector. No separate power supply is needed as the unit draws its power from the signal loop. All of our PPL20 series are compatible with the display when specified with the DIN43650 connector option.



Mating Connectors and Extension Cables

We have teamed up with one of the leading manufacturers of M12 connector products to bring you an extensive range suitable for use with our PPL20 series of transmitters. Many options are available including straight and right angled; screwed or quarter turn quick connect; IP67 or IP69K and with cables manufactured using food industry approved materials. Ask for more details when we quote your transmitter.

This data sheet gives details of the most popular options available for this type of sensor but is not intended to give an exhaustive list of possibilities. If you have a special requirement, please contact our sales office for assistance.

Process Parameters Ltd

Unit 11C, Waldeck House, Waldeck Road, Maidenhead, Berkshire, SL6 8BR

Tel: 01628 778688

Fax: 01628 777714

Email: sales@processparameters.co.uk

Web: www.processparameters.co.uk