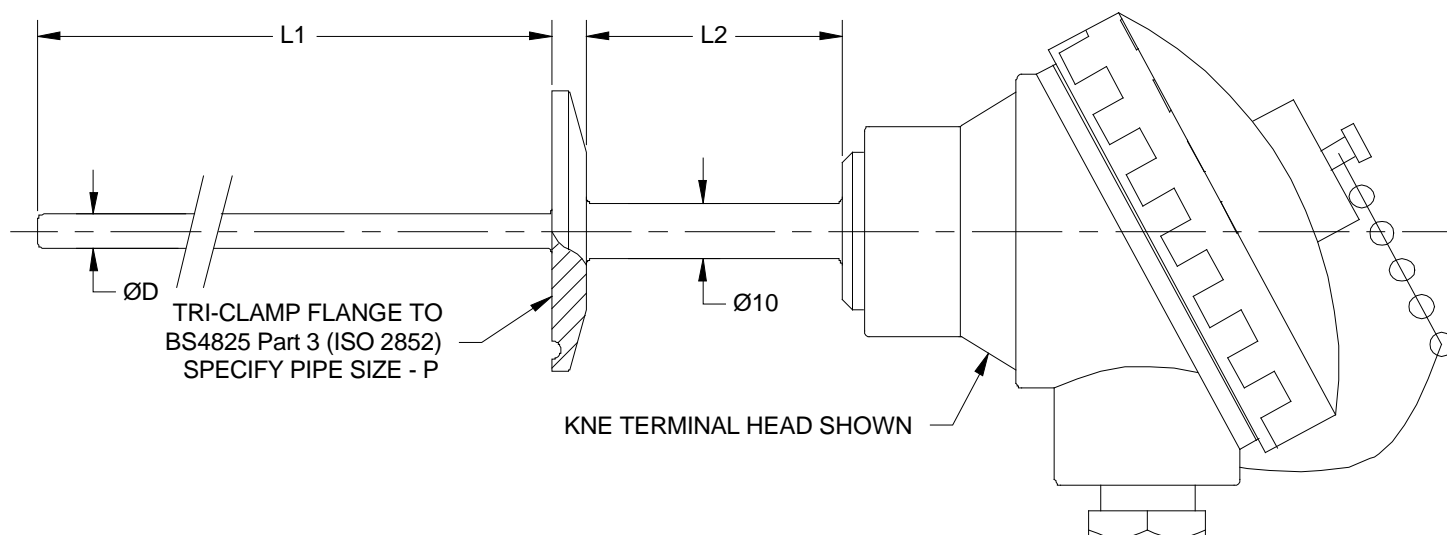


PPL6-P Pt100 Sensor with Tri-Clamp Process Connection

Using an industry standard Tri-clamp connection, our PPL6 sensor is suitable for use in many hygienic processes including dairy, brewery and pharmaceutical applications. We can manufacture the sensor stem in various diameters and lengths to meet your exact requirements and with various options available for the terminal head, including IP68 stainless steel versions, we are sure to satisfy all of your requirements. All welds are carefully performed to ensure they are continuous and crevice free.



| Specifications | |
|-----------------|--|
| Sensor Type | Platinum Resistance Thermometer—Pt100 or Pt1000 |
| Operating Range | -50 to 250°C (Unless Otherwise Requested) |
| Sheath Material | 316 stainless steel |
| Tolerance Band | Class B, Class A, 1/3 DIN, 1/5 DIN or 1/10 DIN |
| Wiring System | 2, 3 or 4 wire, Simplex or Duplex |
| Head Types | A - KNE Aluminium Alloy, IP68 B - KSE Aluminium Alloy, IP68 C - ABS, IP67 D - Glass Filled Nylon, IP65 E - 316 stainless steel, IP68 (Other heads available upon request) |
| Head Options | A - Ceramic Terminal Block B - In Head Transmitter—SEM203P (Specify Range) C - Tails for Customers Own Transmitter |

Full details of all our products can be seen on our web-site:

www.processparameters.co.uk

