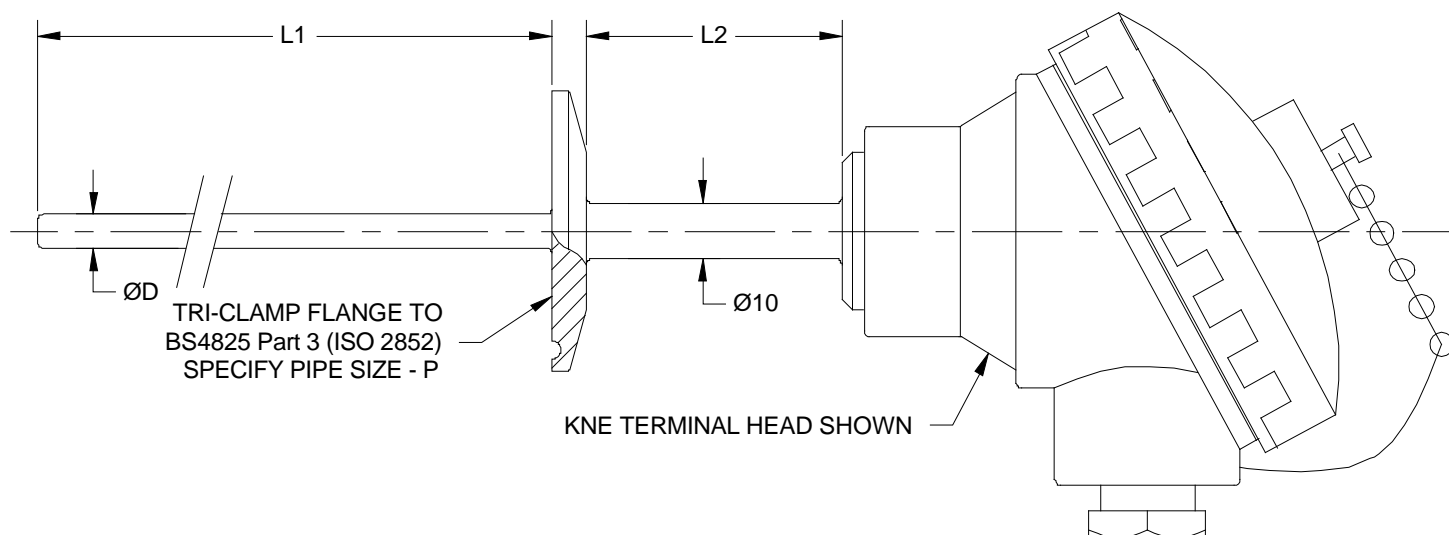


PPL6-T Thermocouple with Tri-Clamp Process Connection

Using an industry standard Tri-clamp connection, our PPL6 sensor is suitable for use in many hygienic processes including dairy, brewery and pharmaceutical applications. We can manufacture the sensor stem in various diameters and lengths to meet your exact requirements and with various options available for the terminal head, including IP68 stainless steel versions, we are sure to satisfy all of your requirements. All welds are carefully performed to ensure they are continuous and crevice free.

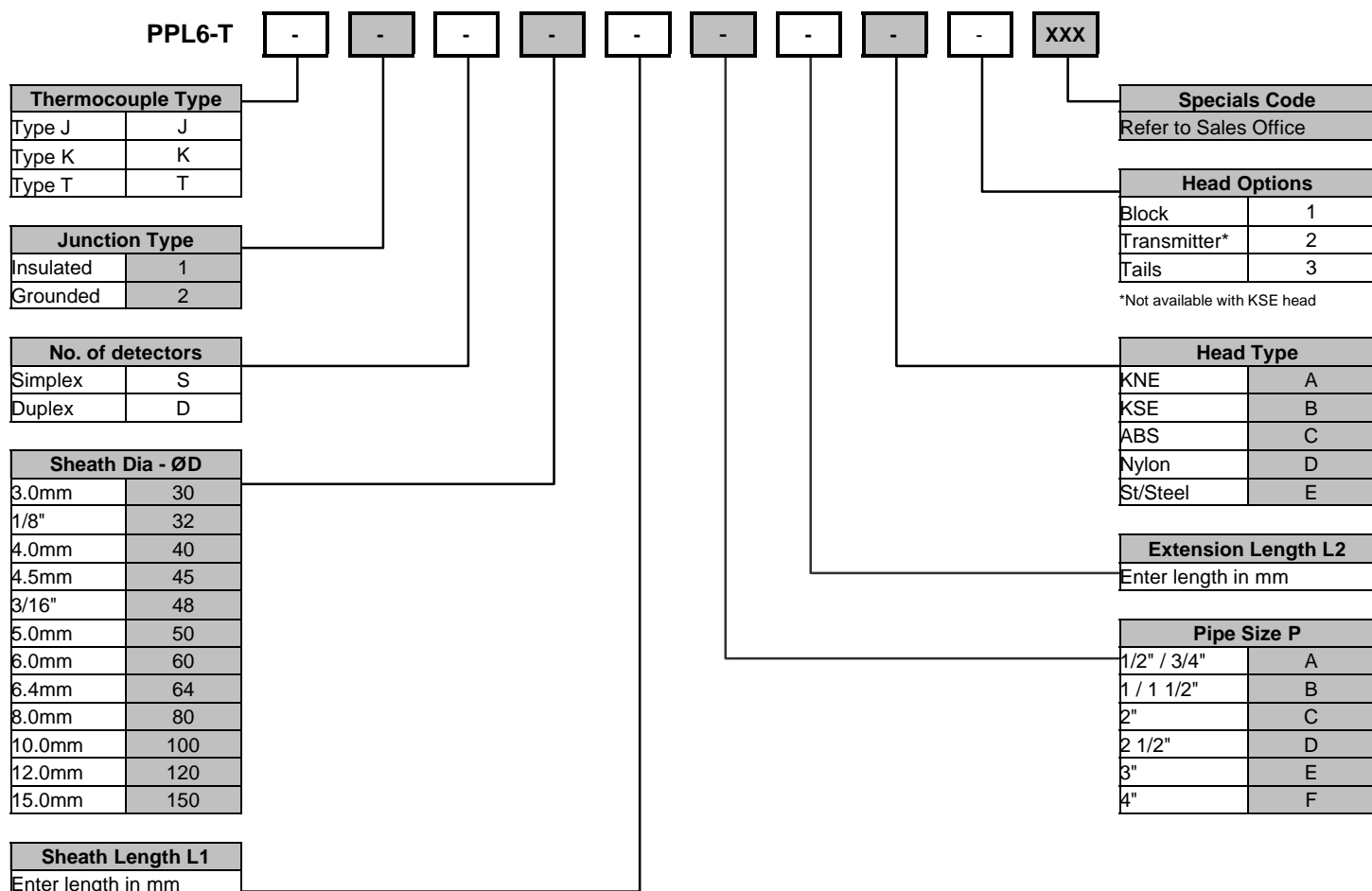


Specifications	
Sensor Type	Type J, K or T thermocouple.
Operating Range	-50 to +250°C (Unless otherwise requested)
Sheath Material	316 stainless steel
Tolerance Band	BS EN 60584-2:1993 Class 1 or Class 2
Wiring System	Simplex or Duplex
Head Types	A - KNE Aluminium Alloy, IP68 B - KSE Aluminium Alloy, IP68 C - ABS, IP67 D - Glass Filled Nylon, IP65 E - 316 stainless steel, IP68 (Other heads available upon request)
Head Options	A - Ceramic Terminal Block B - In Head Transmitter—SEM203P (Specify Range) C - Tails for Customers Own Transmitter

Full details of all our products can be seen on our web-site:

www.processparameters.co.uk

PPL6-T Thermocouple with Tri-Clamp Process Connection



NOTE: Some option combinations not possible

This data sheet gives details of the most popular options available for this type of sensor but is not intended to give an exhaustive list of possibilities. If you have a special requirement, please contact our sales office for assistance.