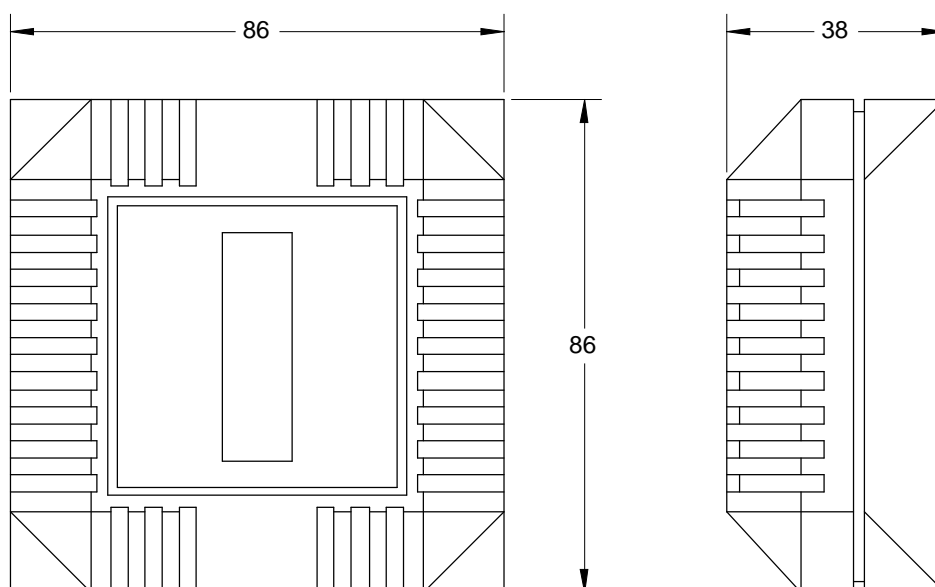


PPL9-P Pt100 Air Temperature Sensor

Our PPL9 sensor is housed in a ventilated ABS enclosure suitable for use in dry environments. Its attractive design means it is suitable for use in many HVAC applications where the sensor is expected to be visible. The housing allows us to fit either a simple sensor or we can include a transmitter with either 4-20mA or 0-10V output and a wide range of sensor type are available offering a variety of accuracies. Various common options are shown on this data sheet but this is not an exhaustive list, please contact us with your requirements.

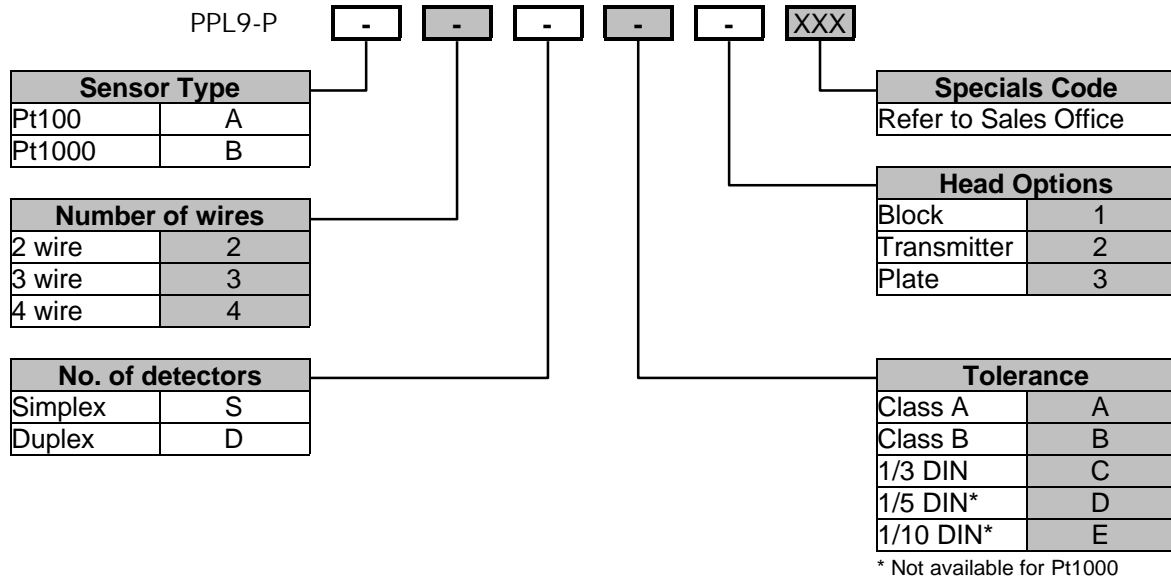


Specifications	
Sensor Type	Platinum Resistance Thermometer—Pt100 or Pt1000
Operating Range	-40 to 85°C
Humidity Range	10 to 90% RH (Non condensing)
Housing material	Beige ABS
Tolerance Band	Class B, Class A, 1/3 DIN, 1/5 DIN or 1/10 DIN
Wiring System	2, 3 or 4 wire, Simplex or Duplex
Head Options	A - Nylon Terminal Block B - In Head Transmitter—4-20mA (Specify Range) C - Mounting Plate for Customers Own Transmitter

Full details of all our products can be seen on our web-site:

www.processparameters.co.uk

PPL9-P Pt100 Air Temperature Sensor



NOTE: Some sheath diameter / lead type combinations require a pot seal. Some option combinations not possible

This data sheet gives details of the most popular options available for this type of sensor but is not intended to give an exhaustive list of possibilities. If you have a special requirement, please contact our sales office for assistance.

Process Parameters Ltd

Unit 11C, Waldeck House, Waldeck Road, Maidenhead, Berkshire, SL6 8BR

Tel: 01628 778688

Fax: 01628 777714

Email: sales@processparameters.co.uk

Web: www.processparameters.co.uk