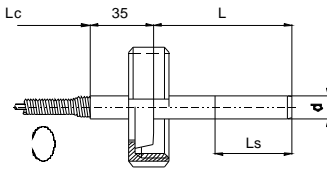
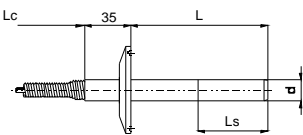
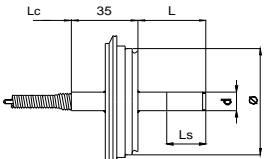


## SANITARY CONNECTIONS FOR REMOTE READING MODELS TYPE TEC

TYPE	MODEL with polished bulb, Ls = 15 mm	DIMENSIONS	EXTRA COSTS
			STAINLESS STEEL AISI316/1.4401
<b>CM</b>  sanitary coupling acc. to DIN 11851 (also available in SMS, RJT, IDF etc.)		1" - NW25	
		1½" - NW40	
		2" - NW50	
		3" - NW75	
<b>TC</b>  TRI CLAMP sanitary connection acc. to ISO 2852		1" - NW25	
		1½" - NW40	
		2" - NW50	
<b>TV</b>  TUCHENHAGEN® sanitary Varivent® In-Line connection		NW 10-15 : Ø 31 mm	ON DEMAND
		NW 25-32 : Ø 50 mm	
		NW 40-50 : Ø 68 mm	

### OPTIONS ON BULB AND STEM FOR REMOTE READING MODELS TYPE TEC

OPTION		EXTRA COSTS
		PER 100 MM
BULB AND STEM AISI316/1.4401	for diameter 6, 8, 9, 10, 12, 13, 14, 15, 16 or 18 mm	
BULB AND STEM POLISHED (MECHANICAL)	for all diameters	
BULB AND STEM PTFE® LINING (max. 250°C)	MAXIMUM 1000 mm ( longer: ON DEMAND)	first 100 mm:
BULB AND STEM HALAR® COATED (max.120°C)		per 100 mm extra:

### OPTIONS ON CONNECTIONS FOR REMOTE READING MODELS TYPE TEC

OPTION		EXTRA COSTS
CONNECTION: 1/2"BSP female (i.o. male)	ONLY FOR TYPE: CS 1, CS 2 AND CS 3	
CONNECTION: 3/4"BSP female (i.o. male)		
CONNECTION: 1"BSP female (i.o. male)		
CONNECTION : M24x1.5	advance basic price connection 3/4"bsp with:	
CONNECTION : M20x1.5	advance basic price connection 3/4"bsp with:	
CONNECTION : M18x1.5	advance basic price connection 1/2"bsp with:	
CONNECTION : 3/8"BSP	advance basic price connection 1/2"bsp with:	
CONNECTION : 1/4"BSP	advance basic price connection 1/2"bsp with:	
OTHERS		ON DEMAND