

ROOM THERMOMETERS TYPE RTX

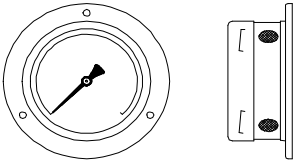
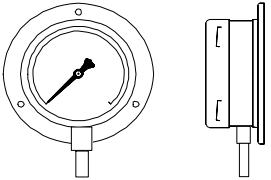
TYPE	DRAWING	DIMENSIONS mm																																																					
<p style="text-align: center;">R</p> <p style="text-align: center;"><i>RTXxxxXR</i></p>		<table border="1"> <thead> <tr> <th rowspan="2">DIM.</th> <th colspan="5">CASE DIAMETER</th> </tr> <tr> <th>63</th> <th>80</th> <th>100</th> <th>160</th> <th>250</th> </tr> </thead> <tbody> <tr> <td>A</td> <td>65</td> <td>83</td> <td>101</td> <td>161</td> <td>252</td> </tr> <tr> <td>B</td> <td>41</td> <td>40</td> <td>51</td> <td>51</td> <td>57</td> </tr> <tr> <td>D</td> <td>86</td> <td>110</td> <td>132</td> <td>196</td> <td>285</td> </tr> <tr> <td>F</td> <td>5</td> <td>5</td> <td>5</td> <td>5</td> <td>2</td> </tr> <tr> <td>H</td> <td>3.5</td> <td>4</td> <td>5.5</td> <td>6</td> <td>6</td> </tr> <tr> <td>P</td> <td>75</td> <td>95</td> <td>116</td> <td>178</td> <td>270</td> </tr> </tbody> </table>	DIM.	CASE DIAMETER					63	80	100	160	250	A	65	83	101	161	252	B	41	40	51	51	57	D	86	110	132	196	285	F	5	5	5	5	2	H	3.5	4	5.5	6	6	P	75	95	116	178	270						
DIM.	CASE DIAMETER																																																						
	63	80	100	160	250																																																		
A	65	83	101	161	252																																																		
B	41	40	51	51	57																																																		
D	86	110	132	196	285																																																		
F	5	5	5	5	2																																																		
H	3.5	4	5.5	6	6																																																		
P	75	95	116	178	270																																																		
<p style="text-align: center;">B</p> <p style="text-align: center;"><i>RTXxxxXB</i></p>		<table border="1"> <thead> <tr> <th rowspan="2">DIM.</th> <th colspan="5">CASE DIAMETER</th> </tr> <tr> <th>63</th> <th>80</th> <th>100</th> <th>160</th> <th>250</th> </tr> </thead> <tbody> <tr> <td>A</td> <td>65</td> <td>83</td> <td>101</td> <td>161</td> <td>252</td> </tr> <tr> <td>B</td> <td>41</td> <td>40</td> <td>51</td> <td>51</td> <td>57</td> </tr> <tr> <td>C</td> <td>13</td> <td>13</td> <td>13</td> <td>13</td> <td>13</td> </tr> <tr> <td>D</td> <td>86</td> <td>110</td> <td>132</td> <td>196</td> <td>285</td> </tr> <tr> <td>F</td> <td>5</td> <td>5</td> <td>5</td> <td>5</td> <td>2</td> </tr> <tr> <td>H</td> <td>3.5</td> <td>4</td> <td>5.5</td> <td>6</td> <td>6</td> </tr> <tr> <td>P</td> <td>75</td> <td>95</td> <td>116</td> <td>178</td> <td>270</td> </tr> </tbody> </table>	DIM.	CASE DIAMETER					63	80	100	160	250	A	65	83	101	161	252	B	41	40	51	51	57	C	13	13	13	13	13	D	86	110	132	196	285	F	5	5	5	5	2	H	3.5	4	5.5	6	6	P	75	95	116	178	270
DIM.	CASE DIAMETER																																																						
	63	80	100	160	250																																																		
A	65	83	101	161	252																																																		
B	41	40	51	51	57																																																		
C	13	13	13	13	13																																																		
D	86	110	132	196	285																																																		
F	5	5	5	5	2																																																		
H	3.5	4	5.5	6	6																																																		
P	75	95	116	178	270																																																		

SECUTHERM® ROOM THERMOMETERS

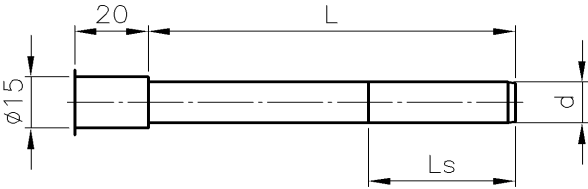
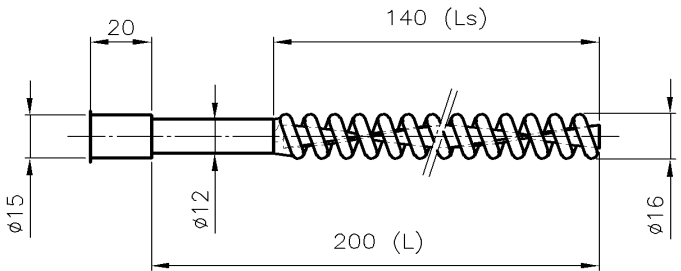
Type RTX, with stainless steel case according to EN 13190

STANDARD MODEL

CASE	: bayonet lock, AISI304/1.4301, type R with vent holes (for indoor use), type B: IP65	RANGES	: for measuring ambient temperatures: minimum -50 upto +80°C, see page 29
STEM AND BULB	: AISI321/1.4541, for type R: bulb inside case and for type plain stem type A or helical air-bulb type HA (see below)	OVERLOAD	: up to 30% F.S. (but max. 80°C)
WINDOW	: mineral glass 4 mm	ACCURACY	: ±1% F.S. / class 1
DIAL	: aluminium, black figures on white	MOVEMENT	: brass
POINTER	: aluminium, black	OPTIONS	: see page 33, electrical device: page 34 - 45

TYPE	MODEL	CASE DIAMETER (R in mm)				
		063	080	100	160	250
R 1142		N.A.	N.A.	RTX100XR	RTX160XR	RTX250XR
B 1142-SPECIAL		RTX063XB	RTX080XB	RTX100XB	RTX160XB	RTX250XB
OPTION		EXTRA COSTS				
LB not for type R	LIQUID FILLED CASE: GLYCERINE (in combination with electrical device: OIL, see page 45)	RTX063LB	RTX080LB	RTX100LB	RTX160LB	RTX250LB

BULB TYPES FOR TYPE B

TYPE	MODEL	BULB AISI321/1.4541	EXTRA COSTS
A PLAIN STEM	 <p>FOR STANDARD SENSITIVE PART "Ls": SEE PAGE 32</p>	L=60 d=12 Ls=35	STANDARD
HA HELICAL AIR BULB		L=200	