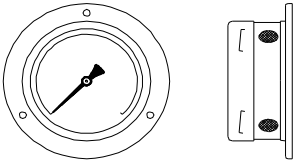
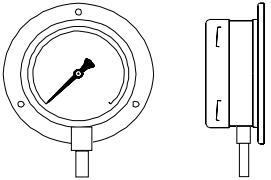


SECUTHERM® ROOM THERMOMETERS

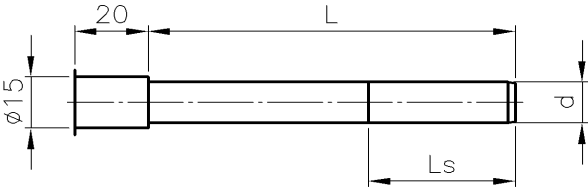
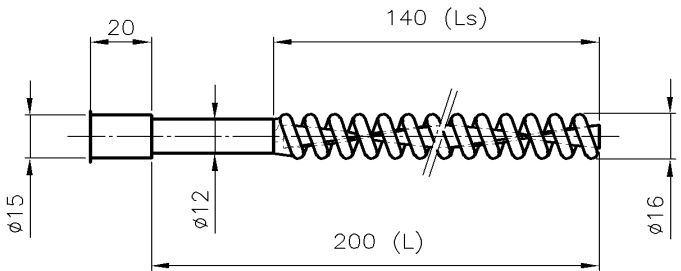
Type RTX, with stainless steel case according to EN 13190

STANDARD MODEL

CASE	: bayonet lock, AISI304/1.4301, type R with vent holes (for indoor use), type B: IP65	RANGES	: for measuring ambient temperatures: minimum -50 upto +80°C, see page 29
STEM AND BULB	: AISI321/1.4541, for type R: bulb inside case and for type plain stem type A or helical air-bulb type HA (see below)	OVERLOAD	: up to 30% F.S. (but max. 80°C)
WINDOW	: mineral glass 4 mm	ACCURACY	: ±1% F.S. / class 1
DIAL	: aluminium, black figures on white	MOVEMENT	: brass
POINTER	: aluminium, black	OPTIONS	: see page 33, electrical device: page 34 - 45

TYPE	MODEL	CASE DIAMETER (R in mm)				
		063	080	100	160	250
R 1142		N.A.	N.A.	RTX100XR	RTX160XR	RTX250XR
B 1142-SPECIAL		RTX063XB	RTX080XB	RTX100XB	RTX160XB	RTX250XB
OPTION		EXTRA COSTS				
LB not for type R	LIQUID FILLED CASE: GLYCERINE (in combination with electrical device: OIL, see page 45)	RTX063LB	RTX080LB	RTX100LB	RTX160LB	RTX250LB

BULB TYPES FOR TYPE B

TYPE	MODEL	BULB AISI321/1.4541	EXTRA COSTS
A PLAIN STEM	 <p>FOR STANDARD SENSITIVE PART "Ls": SEE PAGE 32</p>	L=60 d=12 Ls=35	STANDARD
HA HELICAL AIR BULB		L=200	