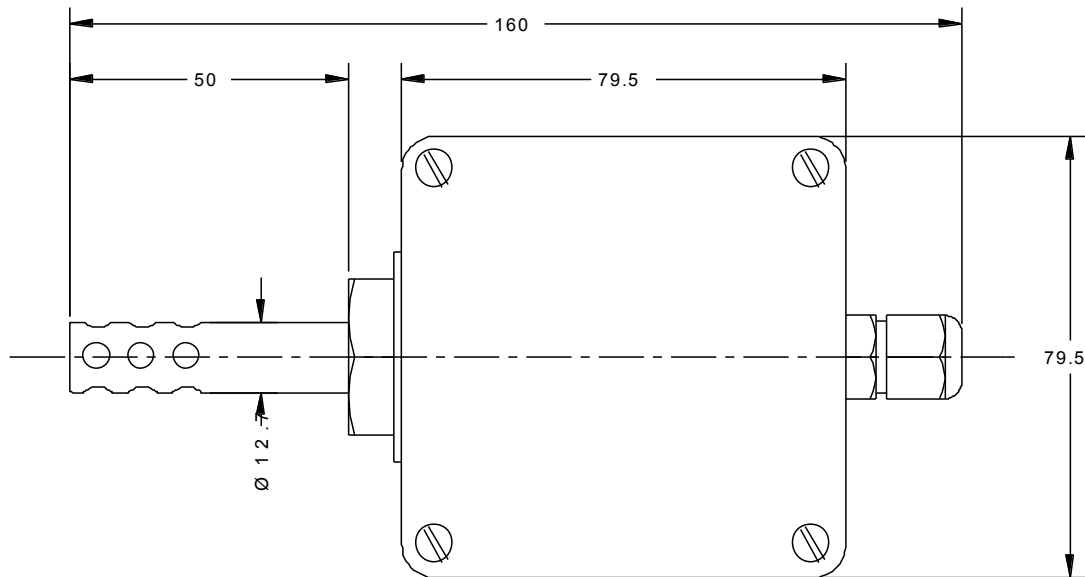
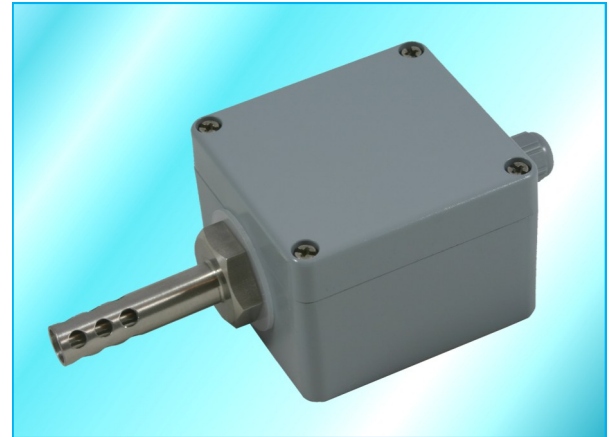


PPL10-T

Thermocouple Exterior Air Temperature Sensor

- Rugged Air Temperature Sensor
- Outdoor Temperature Measurement
- Ideal for use in Arduous Applications
- Available with or without Protective Shroud
- Surface Mounting Housing in ABS, Aluminium or Stainless Steel
- Choice of Terminal Block or Transmitter



Specifications	
Sensor Type	Type J, K or T thermocouple.
Operating Range	-40 to 85°C
Sheath Material	316 stainless steel
Tolerance Band	BS EN 60584-2:1993 Class 1 or Class 2
Wiring System	Simplex or Duplex
Head Types	A - Rectangular Aluminium Alloy, IP66 (as photo) B - KF Aluminium Alloy, IP68 C - ABS, IP67 E - KFS 316 stainless steel, IP68 (Other heads available upon request)
Head Options	A - Ceramic Terminal Block B - In Head Transmitter— Various Types Available C - Tails for Customers Own Transmitter

Process Parameters Ltd

Unit 10A, Waldeck House, Waldeck Road, Maidenhead, Berkshire, SL6 8BR

Tel: 01628 778688

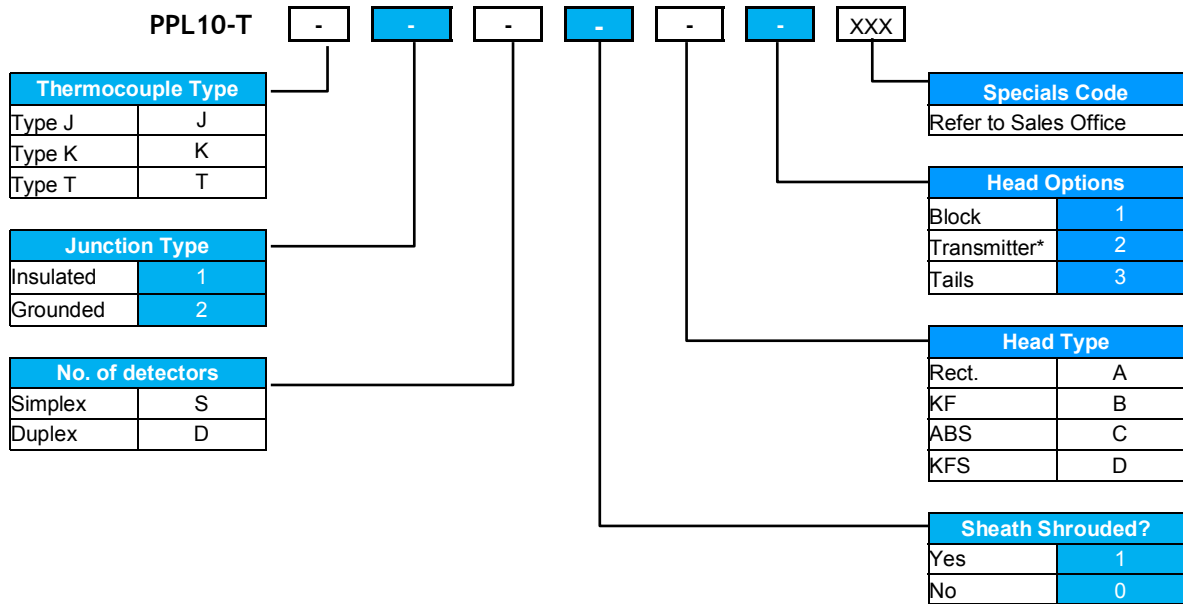
Fax: 01628 777714

Email: sales@processparameters.co.uk

Web: www.processparameters.co.uk

PPL10-T

Thermocouple Exterior Air Temperature Sensor



NOTE: Some option combinations not possible

This data sheet gives details of the most popular options available for this type of sensor but is not intended to give an exhaustive list of possibilities. If you have a special requirement please do not hesitate to contact our sales office for assistance.

Accessories for your sensor...



Compression Fittings



Pockets / Thermowells



Extension Cables

Process Parameters Ltd

Unit 10A, Waldeck House, Waldeck Road, Maidenhead, Berkshire, SL6 8BR

Tel: 01628 778688

Fax: 01628 777714

Email: sales@processparameters.co.uk

Web: www.processparameters.co.uk