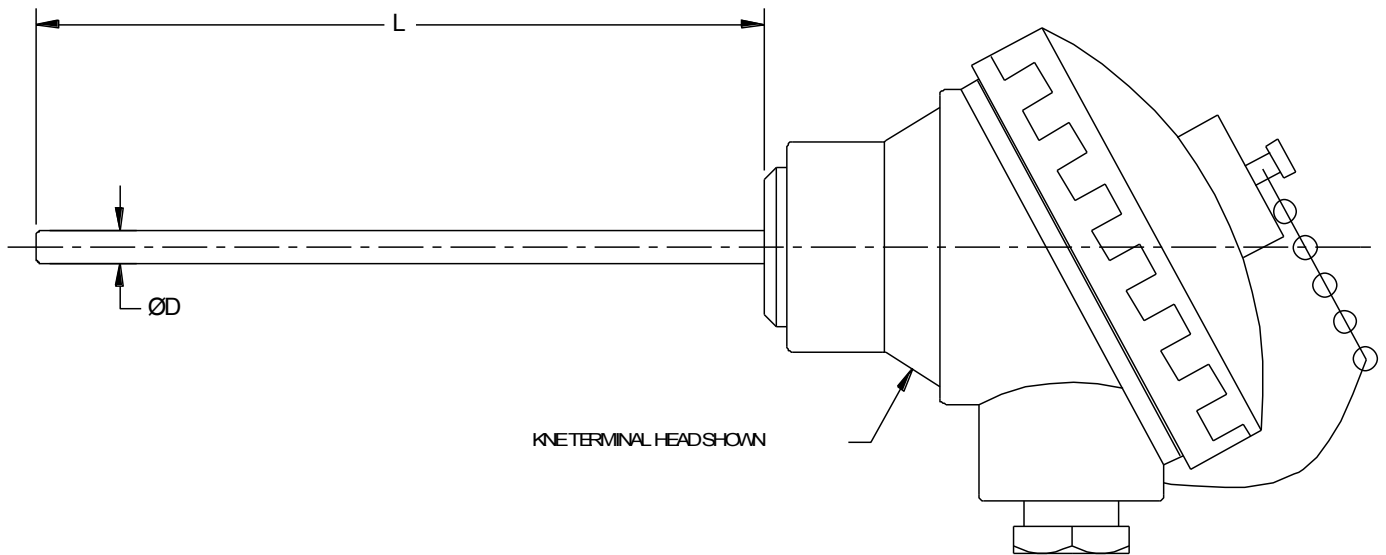
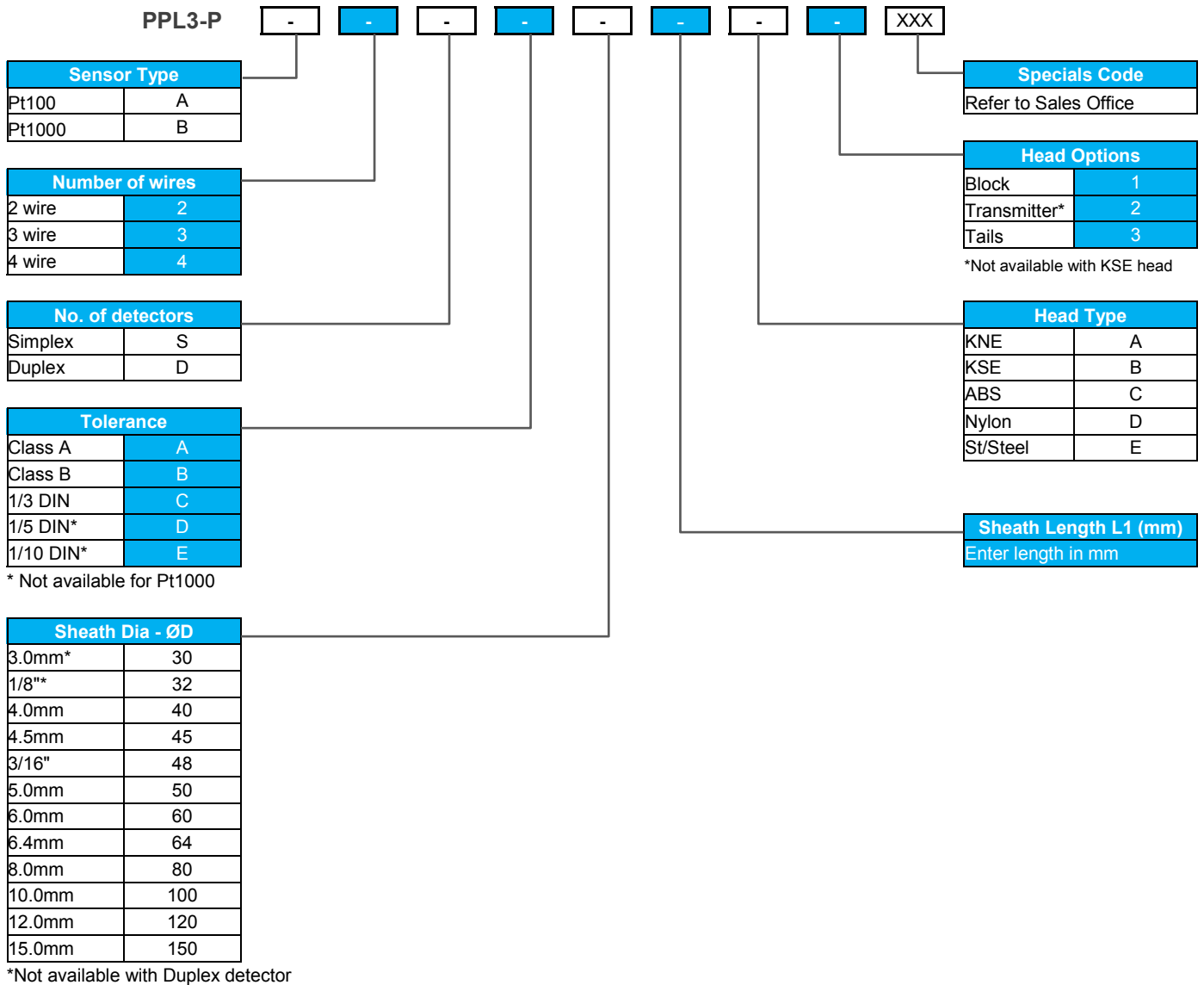


- Plain Stem Probe below Terminal Head
- Heads available in Aluminium, Stainless Steel, Nylon or ABS.
- Up to IP68 environmental protection
- Choice of Head Fittings - Block, Transmitter or Tails
- Battery powered or loop powered displays
- Ideal for Sliding Compression Fittings or Pockets



Specifications

Sensor Type	Platinum Resistance Thermometer—Pt100 or Pt1000. Other types available—please enquire.
Operating Range	-50 to +250°C unless otherwise requested.
Sheath Material	316 stainless steel
Tolerance Band	Class B, Class A, 1/3 DIN, 1/5 DIN or 1/10 DIN
Wiring System	2, 3 or 4 wire, Simplex or Duplex
Head Types	A - KNE Aluminium Alloy, IP68 B - KSE Aluminium Alloy, IP68 C - ABS, IP67 D - Glass Filled Nylon, IP65 E - 316 stainless steel, IP68 (Other heads available upon request)
Head Options	A - Ceramic Terminal Block B - In Head Transmitter—various types C - Tails for Customers Own Transmitter



NOTE: Some option combinations not possible.

This data sheet gives details of the most popular options available for this type of sensor but is not intended to give an exhaustive list of possibilities. If you have a special requirement please do not hesitate to contact our sales office for assistance.

Accessories for your sensor...



Compression Fittings



Signal Conditioners



Pockets / Thermowells



Extension Cables

Process Parameters Ltd

Unit 10A, Waldeck House, Waldeck Road, Maidenhead, Berkshire, SL6 8BR

Tel: 01628 778688

Fax: 01628 777714

Email: sales@processparameters.co.uk

Web: www.processparameters.co.uk